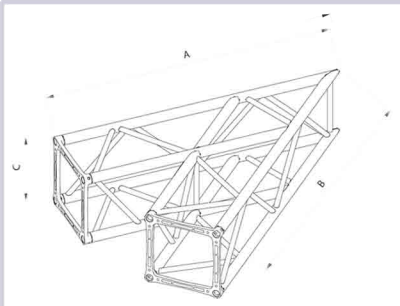


Description	Specification
External dimensions (height x width)	398 mm x 398 mm
Distance between axis	350 mm x 350 mm
Lenghtways tubes	Extruded aluminium EN AW 6082 T6 - Ø48x3 mm
Crossways tubes	Extruded aluminium EN AW 6082 T6 - Ø22x2 mm
Connecting plate	Cast aluminium EN AC 42200 T6
Welding process	TIG-141 / ISO 4063
Available lenght (cm)	100 - 150 - 200 - 250 - 300 - 350 - 400
Connection systems	QXFC - QXSM10

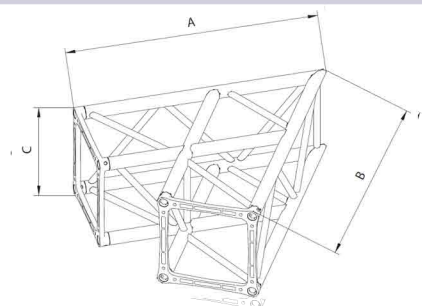
Section Area (mm ²)	Moment of inertia Y - axis (mm ⁴)	Moment of inertia Z - axis (mm ⁴)	Selfweight (approx.) (N/m)
1696	52.385.413	52.385.413	80

SPAN m	UNIF. DISTRIBUTED LOAD			CENTRE POINT LOAD			THIRD POINT LOAD			QUARTER POINT LOAD			FIFTH POINT LOAD		
	point load kg/m	full load kg	central deflection mm	point load kg	full load kg	central deflection mm	point load kg	full load kg	central deflection mm	point load kg	full load kg	central deflection mm	point load kg	full load kg	central deflection mm
1	3650	3650	0	3650	3650	0	1825	3650	0	1217	3650	0	913	3650	0
2	1822	3644	1	2822	2822	1	1736	3471	1	1215	3644	1	911	3644	1
3	1213	3638	4	2180	2180	3	1408	2815	4	1093	3279	4	907	3627	4
4	908	3631	8	1767	1767	7	1176	2353	7	936	2809	8	767	3066	9
5	693	3467	16	1480	1480	11	1006	2013	12	816	2447	14	637	2549	14
6	486	2919	23	1270	1270	16	877	1754	19	691	2073	20	544	2176	21
7	359	2515	31	1110	1110	22	775	1550	26	597	1790	28	474	1894	29
8	276	2206	41	984	984	30	693	1386	35	524	1572	37	418	1674	38
9	218	1960	52	881	881	38	625	1251	46	466	1399	47	374	1496	48
10	176	1761	65	797	797	48	569	1138	58	419	1257	59	338	1350	60
11	145	1590	79	725	725	58	521	1041	71	380	1139	72	307	1228	74
12	120	1445	94	664	664	70	479	958	85	347	1040	86	281	1123	88
13	102	1322	110	612	612	83	443	885	101	318	954	101	258	1033	104
14	87	1215	128	565	565	97	411	821	118	293	879	118	239	954	122
15	75	1122	146	524	524	112	382	765	137	271	814	135	221	885	140
16	65	1039	167	488	488	129	357	714	157	252	755	155	206	823	160
17	57	965	188	455	455	146	334	668	178	234	703	175	192	767	181
18	50	899	211	425	425	165	313	626	201	219	656	197	179	717	204

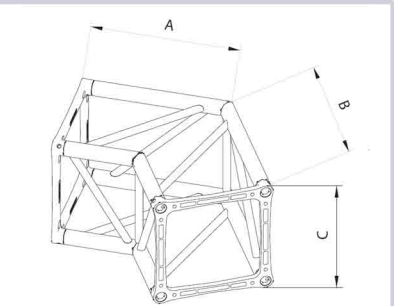
Load table has been prepared in accordance with UNI ENV 1999-1-1 (Eurocode 9).
 When calculating the allowable loads shown in the table, it is assumed that the trusses are simply supported at the end connection and that static loads will be applied to the node points.
 The application of the load shall be on the centre line of the truss.
 The values shown in the table are the allowable static loads that can be applied to the truss. This is the live load or the payload.
 The self weight of the truss has been taken into account when calculating the values in the table.
 It should be noted that this are idealised loading conditions and the User shall re-analyze the truss for the loading conditions which prevail for the application being considered.



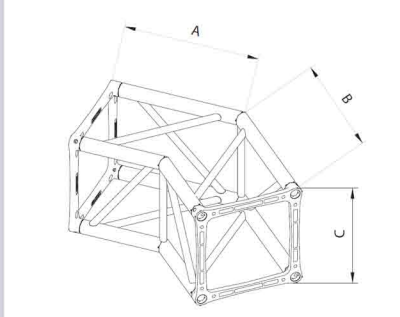
QH40SAL2045



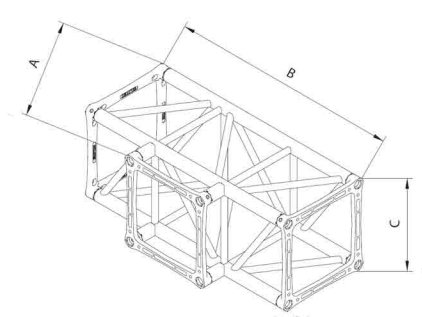
QH40SAL2060



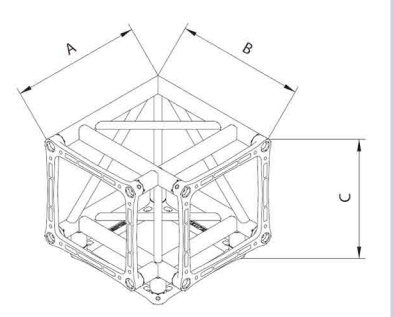
QH40SAL2120



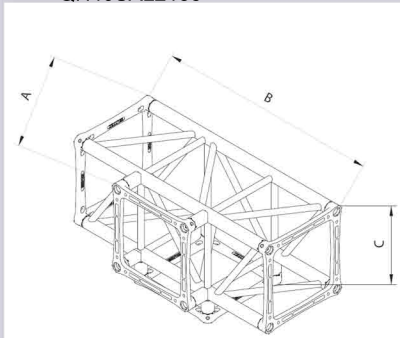
QH40SAL2135



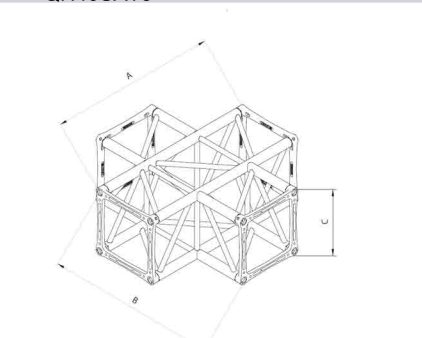
QH40SAT3



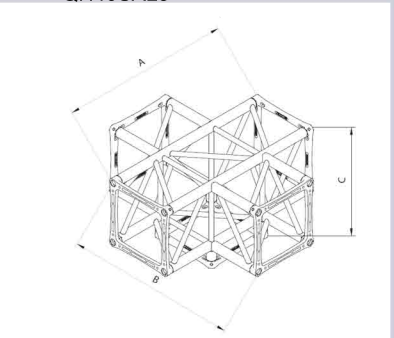
QH40SAL3



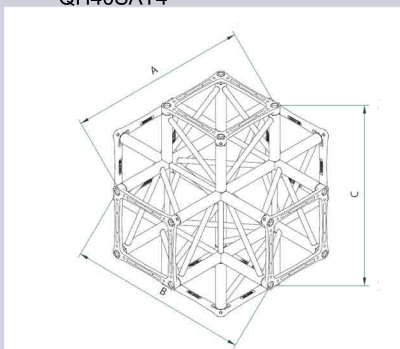
QH40SAT4



QH40SAX4



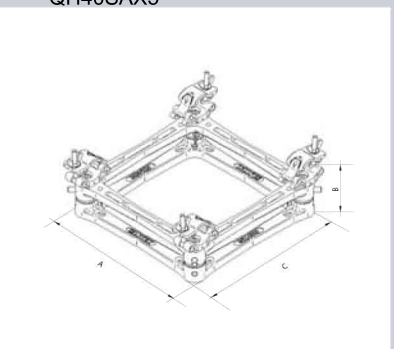
QH40SAX5



QH40SAX6



Q = Square truss



QH40SAACSC

LINEAR ELEMENTS

code	cm	kg
QH40SA010	40x40x10	4,4
QH40SA025	40x40x25	5,6
QH40SA050	40x40x50	7,6
QH40SA100	40x40x100	11,3
QH40SA150	40x40x150	14,9
QH40SA200	40x40x200	18,6
QH40SA250	40x40x250	22,3
QH40SA300	40x40x300	26
QH40SA350	40x40x350	29,6
QH40SA400	40x40x400	33,3

CORNERS AND FITTINGS

code	cm	kg
QH40SAACSC	40x14.4x40	7,1
QH40SAL2045	100x100x29	11,6
QH40SAL2060	100x100x29	17,3
QH40SAL2090	50x50x29	12,6
QH40SAL2120	50x50x29	9,2
QH40SAL2135	50x50x29	9,2
QH40SAL3	50x50x50	9,5
QH40SAT3	50x50x29	14,8
QH40SAT4	50x50x50	17,3
QH40SAX4	50x50x29	20,1
QH40SAX5	50x50x50	19,9
QH40SAX6	50x50x50	27,9

Curves, rings and ellipses are available on demand

Minimum diameter	2 m
Diameter measurement	external
Weight per meter	approx. 14 kg